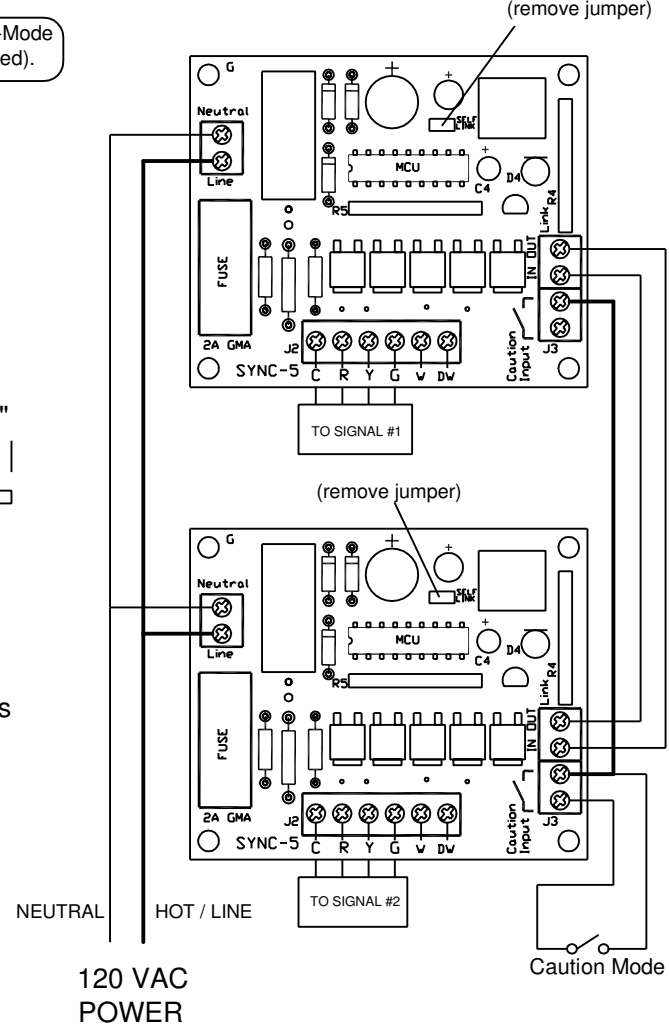


Used when "linking" two or more boards. Remove the "self-link" jumper when linking multiple boards.

LINKING EXAMPLE



SETTING SIGNAL TIMING

Press and hold the TIME-SET button until time-set LED lights up then release button. The controller will begin it's normal cycle. Simply press the TIME-SET button when you want the cycle to advance to the next step as follows:

- Button Press #1 sets the GREEN-LIGHT time
- Button Press #2 sets the YELLOW-LIGHT time
- Button Press #3 sets RED-LIGHT time
- (sets clearance time when linking two or more boards)

After Button Press #3, the TIME-SET LED light will turn off. Time setting is complete. The unit will then begin to cycle as normal with the newly set times.

SLAVE vs. MASTER (when linking boards)

Every board is a "Master" by default, meaning it wants to start it's GREEN cycle first. When linking multiple boards, only one board can start GREEN. It doesn't matter which board starts green, so any board can be chosen as the "master". Therefore, the other board(s) must be set to "SLAVE MODE".

Set as "slave" procedure:

- Step 1> Remove power from board being set to SLAVE MODE.
- Step 2> With the power OFF, hold down the black TIME SET button and apply power to the board. Continue holding the button down until the LED lights (approx. 5 seconds), then release the button.
- Step 3> Remove power from board.

If you were successful, the board will power up with the RED light on instead of the GREEN light. To set the board back to it's original state as "master", repeat the same procedure.

Warning: Make sure HOT and NEUTRAL are not reversed on either board. Reversing HOT and NEUTRAL on linked boards will result in damage to both boards.

Linking Multiple Boards

To link boards simply remove the self-linked-jumper and connect a wire from the LINK OUT to the next boards LINK IN. When you get to the last board, connect a wire from it's LINK OUT to the first boards LINK IN. This creates an IN/OUT loop from the first board to the last board. WIRE INSULATION should be rated for 250 volts or higher.

CAUTION MODE TYPE SELECT

To step through the different modes, initiate caution-mode by connecting the two caution-mode screw-terminals together. Once in caution mode, pressing the time-set button steps through the different caution modes. The currently selected "mode" is stored in non-volatile memory.